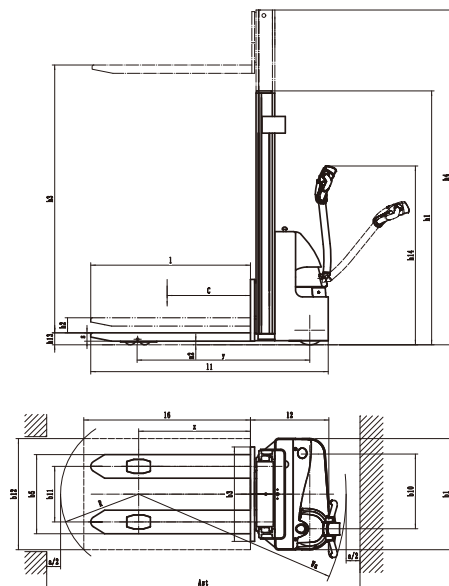


Climax S15V300S: Electric stacker

- Ergonomic compact pedestrian stacker
- Safe and comfortable stacking
- Multifunctional tiller head, crawl speed button and horn button in the centre of the tiller
- Working in very confined spaces



Characteristics			
1.1	Model designation		S15V300S
1.2	Drive unit		Battery
1.3	Operator type		Walkie
1.4	Load capacity	Q (kg)	1500
1.5	Load center	c (mm)	600
1.6	Load distance	x (mm)	805
1.7	Wheelbase	y (mm)	1240
Weights			
2.1	Service weight (Incl. battery)	kg	755
2.2	Axle loading, loaden operator/load side	kg	805/1450
2.3	Axle loading, unloaden operator/load side	kg	545/210
Wheels, Chassis			
3.1	Tyre type		PU/PU
3.2	Tyre size, operator side (diameter x width)	mm	Ø 230 x 75
3.3	Tyre size, load side (diameter x width)	mm	Ø 80 x 60
3.4	Balance wheels (dimensions)	mm	Ø 130 x 55
3.5	Wheels, number operator/load side (x = drive wheels)		1 x +2/4
3.6	Tread, operator side	b10 (mm)	538
3.7	Tread, load side	b11 (mm)	400
Dimensions			
4.1	Height, mast lowered	h1 (mm)	1980
4.2	Free lift	h2 (mm)	
4.3	Lift height	h3 (mm)	3000
4.4	Height, mast e x tended	h4 (mm)	3443
4.5	Height of tiller arm in operating position, min/max	h14 (mm)	1150/1480
4.6	Fork height, lowered	h13 (mm)	88
4.7	Overall length	l1 (mm)	1720
4.8	Length to face of forks	l2 (mm)	575
4.9	Overall width	b1/b2 (mm)	804
4.10	Fork dimensions	s/e/l (mm)	60/170/1150
4.11	Outside fork width	b5 (mm)	570
4.12	Ground clearance	m2 (mm)	30
4.13	Aisle width, 1000 x 1200 pallet crossways	Ast (mm)	2340
4.14	Aisle width, 800 x 1200 pallet lengthways	Ast (mm)	2260
4.15	Outer turning radius	Wa (mm)	1500
Performance			
5.1	Travel speed, loaden/unloaden	km/h	5.0/5.5
5.2	Lifting speed, loaden/unloaden	m/s	0.13/0.2
5.3	Lowering speed, loaden/unloaden	m/s	0.13/0.13
5.4	Maximum gradeability, loaden/unloaden S2 5 min	%	8/16
5.5	Service brake		Elektromagnetic
Drive			
6.1	Drive motor rating S2 60 min	kW	1.27
6.2	Lift motor rating at S3 15%	kW	3
6.3	Semi traction battery voltage/rated capacity	V/Ah	24/125
6.4	Battery weight (with box)	kg	60
6.5	Battery compartment dimensions l/w/h	mm	305/165/210
6.6	Battery type		Maintenance free battery
Others			
7.1	Type of drive control		AC
7.2	Manufacturer		CURTIS
7.3	Sound level at operator's ear	dB (A)	74



© 2018 All rights reserved. Climax® is a trademark of TVH Group NV, Brabantstraat 15, B-8790 Waregem and registered in Belgium, Luxembourg, the Netherlands, France, Germany and United Kingdom. Photographs and illustrations are included for reference purposes only.



Climax®

info@climaxhandling.com · www.climaxhandling.com
 TVH Parts NV · Brabantstraat 15 · 8790 Waregem · Belgium

EOBRRC_1802001