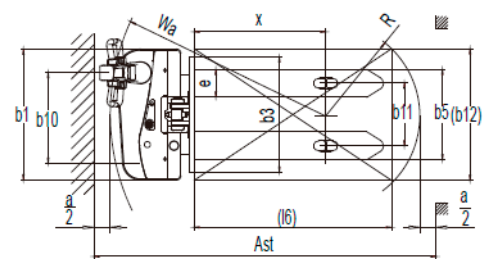
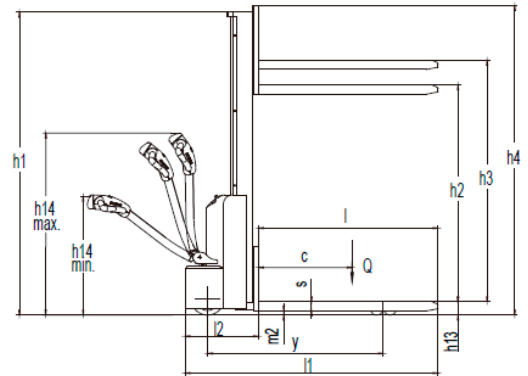


Climax S12S160S: Electric stacker

- Compact chassis and innovative design
- Safe and comfortable stacking
- Working in very confined spaces
- Lateral position of tiller



Characteristics			
1.1	Model designation		S12S160S
1.2	Drive unit		Battery
1.3	Operator type		Walkie
1.4	Load capacity	Q (kg)	1200
1.5	Load center	c (mm)	600
1.6	Load distance	x (mm)	805
1.7	Wheelbase	y (mm)	1126
Weights			
2.1	Service weight (Incl. battery)	kg	462
2.2	Axle loading, loaden operator/load side	kg	741/921
2.3	Axle loading, unloaden operator/load side	kg	343/119
Wheels, Chassis			
3.1	Tyre type		PU/PU
3.2	Tyre size, operator side (diameter x width)	mm	Ø 210 x 70
3.3	Tyre size, load side (diameter x width)	mm	Ø 80 x 60
3.4	Balance wheels (dimensions)	mm	Ø 130 x 55
3.5	Wheels, number operator/load side (x = drive wheels)		1 x +1/4
3.6	Tread, operator side	b10 (mm)	533
3.7	Tread, load side	b11 (mm)	380
Dimensions			
4.1	Height, mast lowered	h1 (mm)	1940
4.2	Free lift	h2 (mm)	1505
4.3	Lift height	h3 (mm)	1600
4.4	Height, mast e x tended	h4 (mm)	1955
4.5	Height of tiller arm in operating position, min/max	h14 (mm)	860/1200
4.6	Fork height, lowered	h13 (mm)	88
4.7	Overall length	l1 (mm)	1615
4.8	Length to face of forks	l2 (mm)	465
4.9	Overall width	b1/b2 (mm)	800
4.10	Fork dimensions	s/e/l (mm)	60/170/1150
4.11	Outside fork width	b5 (mm)	560
4.12	Ground clearance	m2 (mm)	30
4.13	Aisle width, 1000 x 1200 pallet crossways	Ast (mm)	2137
4.14	Aisle width, 800 x 1200 pallet lengthways	Ast (mm)	2062
4.15	Outer turning radius	Wa (mm)	1295
Performance			
5.1	Travel speed, loaden/unloaden	km/h	3.5/4
5.2	Lifting speed, loaden/unloaden	m/s	0.12/0.22
5.3	Lowering speed, loaden/unloaden	m/s	0.12/0.11
5.4	Maximum gradeability, loaden/unloaden S2 5 min	%	3/10
5.5	Service brake		Elektromagnetic
Drive			
6.1	Drive motor rating S2 60 min	kW	0.65
6.2	Lift motor rating at S3 15%	kW	2.2
6.3	Semi traction battery voltage/rated capacity	V/Ah	2 x 12/85
6.4	Battery weight (with box)	kg	2 x 25
6.5	Maximum allowed size battery	mm	270/180/230
6.6	Battery type		Maintenance free battery
Others			
7.1	Type of drive control		DC
7.2	Steering type		MECHANICAL
7.3	Sound level at operator's ear	dB (A)	74



© 2017 All rights reserved. Climax® is a trademark of TVH Group NV, Brabantstraat 15, B-8790 Waregem and registered in Belgium, Luxembourg, the Netherlands, France, Germany and United Kingdom. Photographs and illustrations are included for reference purposes only.

E0BRDY_1901002

Climax®

info@climaxhandling.com · www.climaxhandling.com
TVH Parts NV · Brabantstraat 15 · 8790 Waregem · Belgium