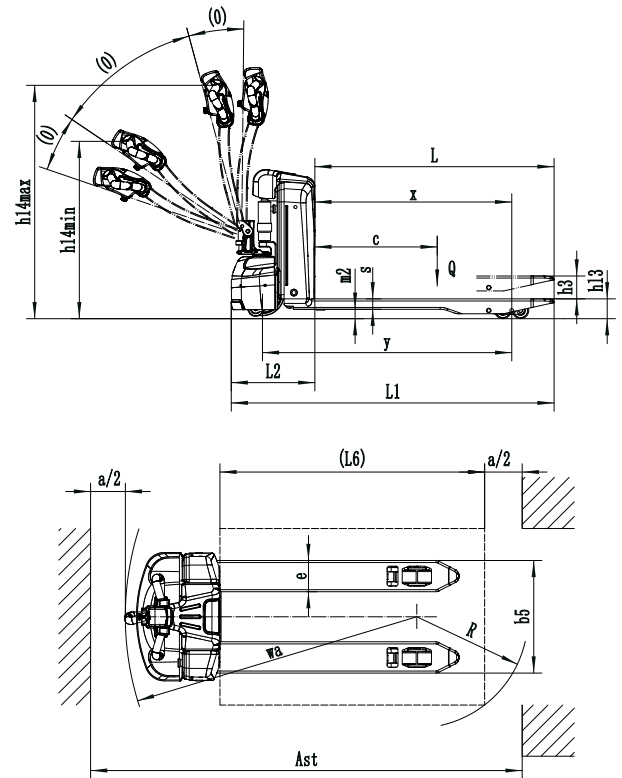


Climax P185-I0N: Electric pallet truck

- New plug in & out maintenance-free lithium battery with integrated charger
- ca. 2h charging time for 100%
- Creep speed function
- Maintenance-free brushless DC motor
- Metal protective cover of battery



| Characteristics | | | |
|-----------------|--|------------|-----------------|
| 1.2 | Model designation | | P185-I0N |
| 1.3 | Drive unit | | Battery |
| 1.4 | Operator type | | Pedestrian |
| 1.5 | Load capacity | Q (kg) | 1800 |
| 1.6 | Load center distance | c (mm) | 600 |
| 1.8 | Load distance, centre of drive axle to fork | x (mm) | 940 |
| 1.9 | Wheelbase | y (mm) | 1200 |
| Weights | | | |
| 2.1 | Service weight (Incl. battery) | kg | 160 |
| 2.2 | Axle loading, loaden operator/load side | kg | 660/1400 |
| 2.3 | Axle loading, unladen operator/load side | kg | 130/30 |
| Wheels, Chassis | | | |
| 3.1 | Tyre type | | PU/PU |
| 3.2 | Tyre size, operator side | mm | Ø 210 x 70 |
| 3.3 | Tyre size, load side | mm | Ø 80 x 60 |
| 3.4 | Balance wheels (dimensions) | mm | Ø 74 x 30 |
| 3.5 | Wheels, number operator/load side (x = drive wheels) | | 1 x 2/4 |
| 3.6 | Tread, operator side | b10 (mm) | 450 |
| 3.7 | Tread, load side | b11 (mm) | 390 |
| Dimensions | | | |
| 4.4 | Lift height | h3 (mm) | 115 |
| 4.9 | Height of tiller arm in operating position, min/max | h14 (mm) | 700/1260 |
| 4.15 | Fork height, lowered | h13 (mm) | 80 |
| 4.19 | Overall length | l1 (mm) | 1550 |
| 4.20 | Length to face of forks | l2 (mm) | 400 |
| 4.21 | Overall width | b1 (mm) | 610 |
| 4.22 | Fork dimensions | s/e/l (mm) | 50 x 150 x 1150 |
| 4.25 | Width across forks | b5 (mm) | 540 |
| 4.32 | Ground clearance, center of wheelbase | m2 (mm) | 30 |
| 4.33 | Aisle width, 1000 x 1200 pallet crossways | Ast (mm) | 2145 |
| 4.34 | Aisle width, 800 x 1200 pallet lengthways | Ast (mm) | 2050 |
| 4.35 | Turning radius | Wa (mm) | 1330 |
| Performance | | | |
| 5.1 | Travel speed, loaden/unloaden | km/h | 5/5,5 |
| 5.2 | Lift speed, loaden/unloaden | m/s | 0,020/0,025 |
| 5.3 | Lowering speed, loaden/unloaden | m/s | 0,065/0,030 |
| 5.8 | Maximum gradeability, loaden/unloaden | % | 6/16 |
| 5.10 | Service brake | | Electromagnetic |
| Drive | | | |
| 6.1 | Drive motor performance S2 60 min | kW | 0,9 |
| 6.2 | Lift motor performance at 15% | kW | 0,8 |
| 6.3 | Battery type | | Li-ion |
| 6.4 | Battery voltage/nominal capacity | V/Ah | 48/20 |
| 6.5 | Battery weight | kg | 14 |
| 6.6 | Power consumption according to VDI cycle | kWh/h | 0,25 |
| | Charger incorporated | V/A | 48/10 |
| Others | | | |
| 8.1 | Type of drive control | | DC |
| 10.5 | Steering Type | | Mechanical |
| 10.7 | Sound level at operator's ear dB (A) | dB (A) | <74 |



TVH* and Climax® are registered trademarks. © 04-2021, TVH Equipment NV, Brabantstraat 15, B-8790 Waregem. All rights reserved. No part of this publication may be reproduced or communicated in any form or by any means, electronic or mechanical, including copying, recording or use in an information storage or retrieval system, without prior and explicit permission of TVH Equipment NV.

E0BRSS_2101002

Climax®

info@climaxhandling.com · www.climaxhandling.com
TVH Equipment NV · Brabantstraat 15 · 8790 Waregem · Belgium