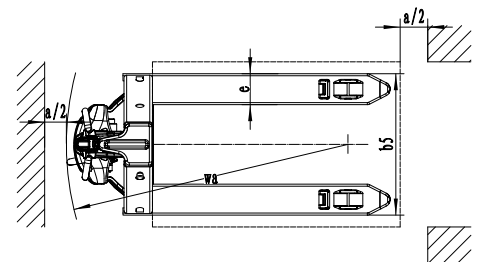
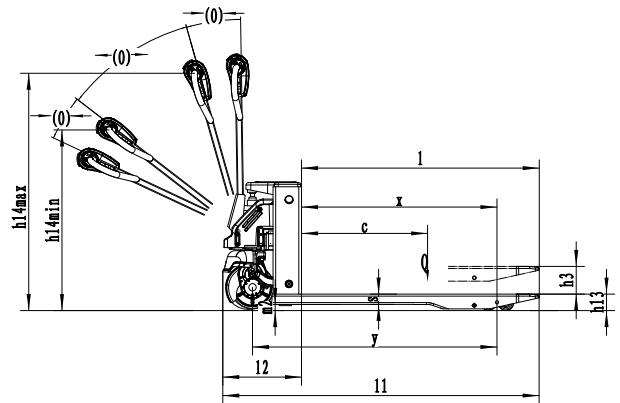


# Climax P153-I0N: Electric pallet truck

- Maintenance-free lithium ion battery
- Plug in & out system for battery
- Spare battery available
- 2h charging time for 100%
- Creep speed function
- Light service weight, suitable for anywhere a hand pallet truck could be used (length to forkface only 400 mm)



Characteristics			
1.2	Model designation		P153-I0N
1.3	Drive unit		Battery
1.4	Operator type		Pedestrian
1.5	Load capacity	Q (kg)	1500
1.6	Load center distance	c (mm)	600
1.8	Load distance, centre of drive axle to fork	x (mm)	950
1.9	Wheelbase	y (mm)	1190
Weights			
2.1	Service weight (Incl. battery)	kg	120
2.2	Axle loading, loaden operator/load side	kg	480/1140
2.3	Axle loading, unloaden operator/load side	kg	90/30
Wheels, Chassis			
3.1	Tyre type		PU/PU
3.2	Tyre size, operator side	mm	Ø 210 x 70
3.3	Tyre size, load side	mm	Ø 80 x 60
3.4	Balance wheels (dimensions)	mm	/
3.5	Wheels, number operator/load side (x = drive wheels)		1x/4
3.6	Tread, operator side	b10 (mm)	/
3.7	Tread, load side	b11 (mm)	410
Dimensions			
4.4	Lift height	h3 (mm)	115
4.9	Height of tiller arm in operating position, min/max	h14 (mm)	750/1190
4.15	Fork height, lowered	h13 (mm)	80
4.19	Overall length	l1 (mm)	1540
4.20	Length to face of forks	l2 (mm)	400
4.21	Overall width	b1 (mm)	560
4.22	Fork dimensions	s/e/l (mm)	50 x 150 x 1150
4.25	Width across forks	b5 (mm)	560
4.32	Ground clearance, center of wheelbase	m2 (mm)	30
4.33	Aisle width, 1000 x 1200 pallet crossways	Ast (mm)	2145
4.34	Aisle width, 800 x 1200 pallet lengthways	Ast (mm)	2050
4.35	Turning radius	Wa (mm)	1330
Performance			
5.1	Travel speed, loaden/unloaden	km/h	4/4,5
5.2	Lifting speed, loaden/unloaden	m/s	0,017/0,020
5.3	Lowering speed, loaden/unloaden	m/s	0,09/0,06
5.8	Maximum gradeability, loaden/unloaden	%	6/16
5.10	Service brake		Electromagnetic
Drive			
6.1	Drive motor performance S2 60 min	kW	0,75
6.2	Lift motor performance at 15%	kW	0,7
6.3	Battery type	V/Ah	Li-ion
6.4	Battery voltage/nominal capacity	V/Ah	24/20
6.5	Battery weight	kg	7
6.6	Power consumption according to VDI cycle	kWh/h	0,25
	Charger external		
Others			
8.1	Type of drive control		DC
10.5	Steering Type		Mechanical
10.7	Sound level at operator's ear dB (A)	dB (A)	<74



TVH\* and Climax® are registered trademarks. © 04-2021, TVH Equipment NV, Brabantstraat 15, B-8790 Waregem. All rights reserved. No part of this publication may be reproduced or communicated in any form or by any means, electronic or mechanical, including copying, recording or use in an information storage or retrieval system, without prior and explicit permission of TVH Equipment NV.

E0BRSS\_2101002

# Climax®

info@climaxhandling.com · www.climaxhandling.com  
TVH Equipment NV · Brabantstraat 15 · 8790 Waregem · Belgium