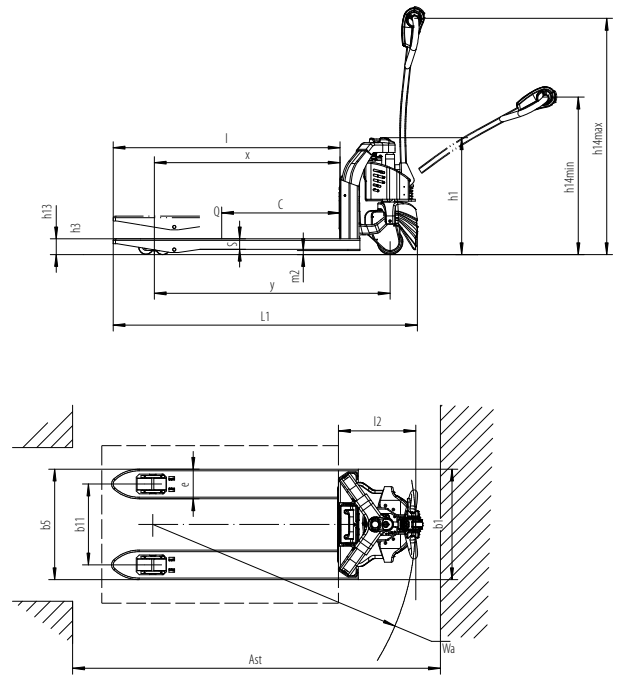


# Climax P12W-ION: Electric pallet truck

- Standard Lithium Ion battery, life time maintenance free
- Light service weight, suitable for anywhere a hand pallet truck could be used (length to forkface only 390 mm)
- Plug in & out system for battery and charger
- Spare battery available



Characteristics			
1.2	Model designation		P12W-ION
1.3	Drive unit		Battery
1.4	Operator type		Pedestrian
1.5	Load capacity	Q (kg)	1200
1.6	Load center distance	c (mm)	600
1.8	Load distance, centre of drive axle to fork	x (mm)	950
1.6	Wheelbase	y (mm)	1190
Weights			
2.1	Service weight (Incl. battery)	kg	130
2.2	Axle loading, loaden operator/load side	kg	420/910
2.3	Axle loading, unloaden operator/load side	kg	110/20
Wheels, Chassis			
3.1	Tyre type		PU/PU
3.2	Tyre size, operator side	mm	Ø 210 x 70
3.3	Tyre size, load side	mm	Ø 80 x 60
3.5	Wheels, number operator/load side (x = drive wheels)		1 x / 4
Dimensions			
4.4	Lift height	h3 (mm)	115
4.9	Height of tiller arm in operating position, min/max	h14 (mm)	750/1190
4.15	Fork height, lowered	h13 (mm)	80
4.19	Overall length	l1 (mm)	1540
4.20	Length to face of forks	l2 (mm)	390
4.21	Overall width	b1 (mm)	560
4.22	Fork dimensions	s/e/l (mm)	53 x 150 x 1150
4.25	Fork spread	b5 (mm)	560
4.32	Ground clearance, center of wheelbase	m2 (mm)	27
4.33	Aisle width, 1000 x 1200 pallet crossways	Ast (mm)	1640
4.34	Aisle width, 800 x 1200 pallet lengthways	Ast (mm)	1840
4.35	Turning radius	Wa (mm)	1390
Performance			
5.1	Travel speed, loaden/unloaden	km/h	4/4,5
5.2	Lifting speed, loaden/unloaden	m/s	0,02/0,025
5.3	Lowering speed, loaden/unloaden	m/s	0,09/0,05
5.8	Maximum gradeability, loaden/unloaden	%	4/10
5.10	Service brake		Electromagnetic
Drive			
6.1	Drive motor performance S2 60 min	kW	0,65
6.2	Lift motor performance at 15%	kW	0,5
6.3	Battery type		Li-ion
6.4	Battery voltage/nominal capacity	V/Ah	24/20
6.5	Battery weight	kg	5,1
6.6	Power consumption according to VDI cycle	KWh/h	0,25
6.7	Charger external	V/A	24/10
Others			
8.1	Type of drive control		DC
10.5	Steering Type		Mechanical
10.7	Sound level at operator's ear	dB (A)	<74



TVH\* and Climax\* are registered trademarks. © 04-2021, TVH Equipment NV, Brabantstraat 15, B-8790 Waregem. All rights reserved. No part of this publication may be reproduced or communicated in any form or by any means, electronic or mechanical, including copying, recording or use in an information storage or retrieval system, without prior and explicit permission of TVH Equipment NV.

EOBRS\_2101002

# Climax®

info@climaxhandling.com · www.climaxhandling.com  
 TVH Equipment NV · Brabantstraat 15 · 8790 Waregem · Belgium